

INSTRUCTION MANUAL

MAINTENANCE
TECHNICAL MANUAL

MODELS
XP-40, XP-60, XP-80

**FOR INSTALLER OR
MAINTENANCE PERSON**



This is a hazard alert symbol: ⚠️ When you see this symbol, be aware of possible personal injury or property damages. The hazard is explained in the text following symbol. Read information carefully before proceeding.

The following explanations are the three different types of hazards:

- ⚠️ **DANGER:** Indicates a hazardous situation which, if not avoided, will result in death or serious injury.
- ⚠️ **WARNING:** Indicates a hazardous situation which, if not avoided, could result in death or serious injury.
- ⚠️ **CAUTION:** Indicates a hazardous situation which, if not avoided, could result in minor or moderate injury.

MAINTENANCE

⚠WARNING: Be sure to unplug the pump unit before installing or maintenance. Failure to do so could result in electrical shock, personal injury or death. If the thermal protection switch is tripped, the electromagnetic part will automatically stop for thermal protection. It will automatically restart after it cools down.

⚠CAUTION: The filters must be periodically cleaned or replaced. Clogged filter can cause overheating or pump failure.

Any pump maintenance other than that recommended in the instruction manual must be done by an Authorized Service Facility. Filter inspection every three months is recommended. When inspecting filter, also clean inlet port area of filter and housing. Filter can be washed with soap and water. Make sure that filter is dried before reattaching.

In case the pump makes an abnormal noise or the outlet air is distinctly decreased, immediately unplug the pump unit.

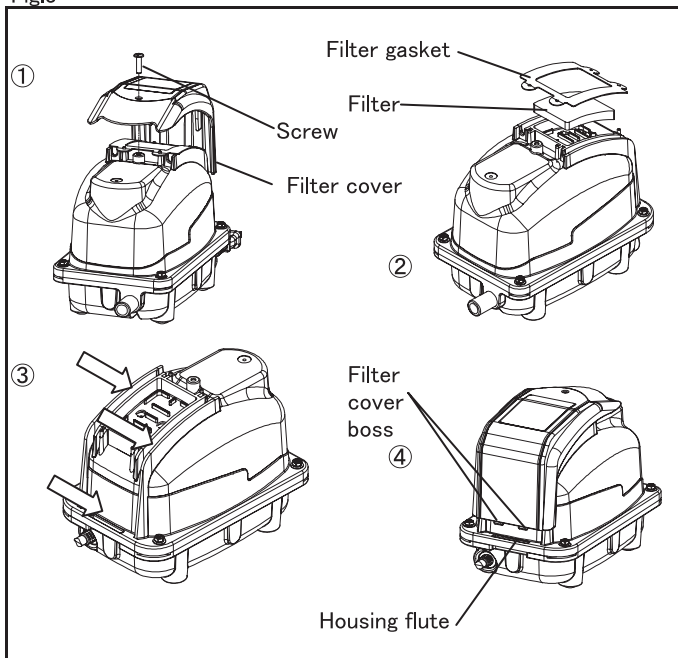
For repair or replacement parts, please contact to the factory or send unit to Authorized Service Facility.

Cleaning the filter (Refer to Fig.3)

- Remove filter cover mounting screw (refer to fig.3-①) Detach filter cover gasket and filter from upper housing (refer to fig.3-②).
- Replace with a new filter or clean up the filter. Dust off filter to remove dirt and dust in case it is soiled heavily.
(Filter can be washed with soap and water. Make sure that filter is dried before reattaching)
- Remove dirt on the rear side of upper housing and face groove for filter part (refer to fig.3-③).

- Put filter and filter gasket back together. Make sure that all 4 bosses stay in every holes of filter gasket (refer to fig3-②).
- Attach filter cover. Insert boss on the bottom of filter cover into flute on upper housing (refer to fig3-④) and tighten with filter cover mounting screw.

Fig.3

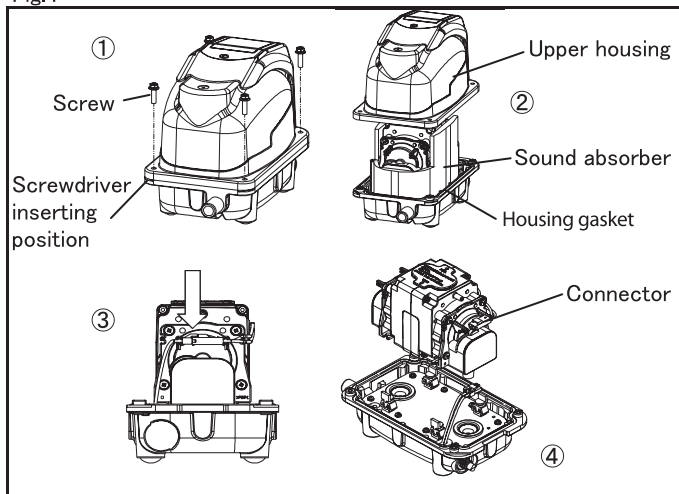


Replacing Pump (Chamber) Assembly for XP Series

[1] Replacing built-in block (Refer to Fig.4)

- Remove all 4 screws (refer to fig.4-①) and remove upper housing (refer to fig.4-②). If it is stuck, insert screwdriver between upper housing and lower housing to pry apart.
- Remove sound absorber (refer to fig.4-②).
- Pull connector out holding ↓ part (refer to fig.4-③).
- Remove 4 cushion rubbers. Remove built-in part (refer to fig.4-④).

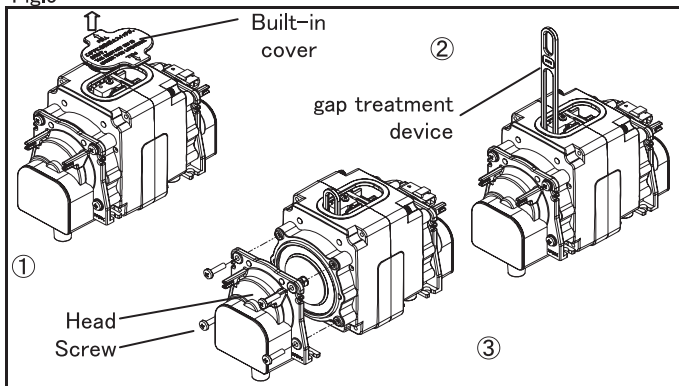
Fig.4



[2] Replacing chamber block (Refer to Fig.5)

- Remove built-in cover. Pick ↑ part up to remove the cover (refer to fig.5-①).
- Insert gap jig for XP (that is attached to XP repair kit) deeply to one side (refer to fig.5-②)
- Remove one side of casing block. Loosen casing mounting screws and remove casing as shown in fig.5-③.

Fig.5

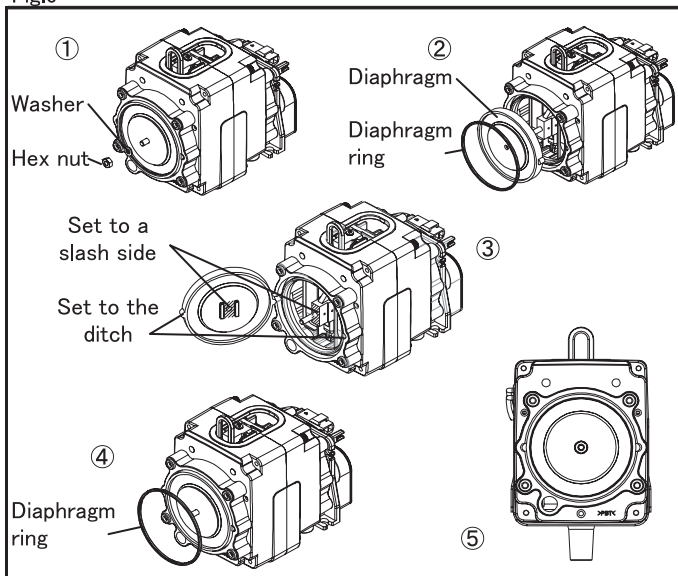


[3] Replacing Diaphragm block (Refer to Fig.6)

- Remove locknut and washer (refer to fig.6-①).
- Remove diaphragm ring and diaphragm (refer to fig.6-②). In case it is not easy to remove, pull with long nose pliers.
- Attach one side of diaphragm. As shown in fig.6-③, put shadowed area together. Insert new diaphragm into flute on frame.

- Attach diaphragm ring back together (see fig.6-④). Use new diaphragm ring (attached to diaphragm parts).
- Attach washer and tighten locknut as shown in fig.6-①.
- Make sure that the center plate is at the center of a diaphragm (refer to fig.6-⑤).

Fig.6

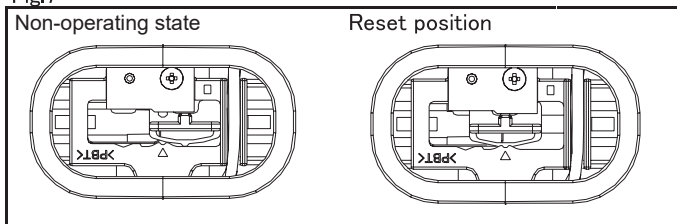


- Attach casing block. Tighten 4 casing mounting screws as shown in fig. 5-③
- Exchange opposite diaphragm repeating the same steps.

[4] Replacing Safety Switch (Refer to Fig.7)

▪ Automatic stop switch may work. In this case, please follow steps below for return operation.

Fig.7

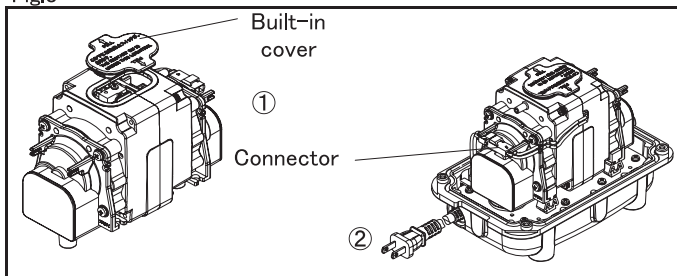


[5] Reinstalling Built-in block (Refer to Fig.8)

▪ Reattach built-in cover parallel to frame (refer to fig.8-①).

▪ Reattach 4 cushion rubbers to built-in part, connect power cord and terminal for built-in part. Reattach lead wire to casing as shown in fig.8-②.

Fig.8





[6] Reinstalling Upper housing (Refer to Fig.4)

- Reattach sound absorber (refer to fig.4-②), make sure housing gasket is set properly before attaching upper housing.
- Tighten 4 screws evenly.